



EUROTHERM 601 SERIES



EUROTHERM 620 SERIES

- 620
- 620S
- 620S V



EUROTHERM 584 SERIES

- 584
- 584S
- 584S V



EUROTHERM 605 SERIES

- 605
- 605C



PARKER 690P SERIES

- BLUE CASE
- GREY CASE

PARKER ARE BACK!



The all-NEW PARKER AC20 Drives have been designed with the key features being: **Simplicity, Reliability and Compatibility!**

The drive uses DSE Lite meaning that we get to use our trusted software to program these drives!



µSD Card Slot

For application cloning and firmware updates in the field

**Variable Speed Drive
AC20 Applications**

Built-in Display Keypad

Operate the drive and see real time diagnostic feedback through the built-in 2-line alphanumeric display

Standard Ethernet Port

Modbus TCP/IP, ProfinetIO & Ethernet IP as standard. Access the drive webpage or program the drive through the popular and intuitive DSELite configuration tool

User fittable Option Cards

- Encoder Feedback card
 - GPIO card
- Both are compatible in each option slot & two identical cards can be fitted simultaneously



Built-in RS232 Port

Connect a remote 6901 keypad to the RS232 port



Safe Torque Off

Independently certified STO to SIL2, PLd as standard. Complies to:

- EN ISO13849-1:2015
- EN 61800-5-2:2017
- EN 61508

Dedicated Motor Thermistor Input

PTC Motor Thermistor feedback connection as standard

Additional Communications Options

- CANopen
- EtherCAT
- Ethernet IP
- Profibus DVP-1
- ProfiNet IO



Power Cable Shielding Bracket

(not shown)
Frames 2-5 fitted with a cable shielding and support bracket as standard

User I/O

Extensive analogue and digital I/O for application flexibility

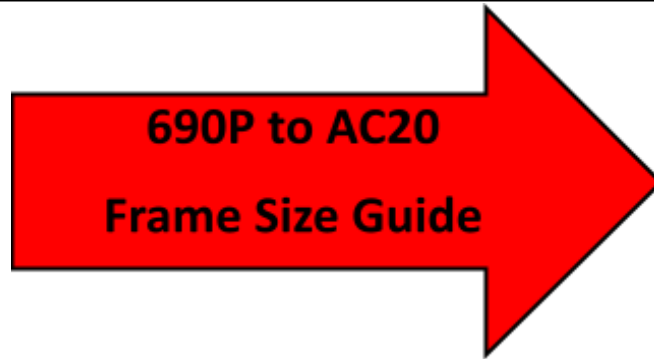
Standards & Compliance

- The product is certified to the latest international standards:
- Low Voltage Directive 2014/30/EU
 - Electro-Magnetic Compatibility Directive 2006/42/EC
 - EN61800-5-1:2007+A11;2021 and EN61800-3:2018
 - IE 2 Compliant

T: 0117 409 0107 E: info@sdsdrives.com

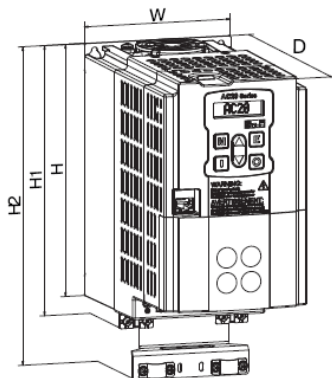
PARKER 690P Frame Sizes

| Frame Size | kW Range | Height (mm) | Width (mm) | Depth (mm) |
|------------|-------------|-------------|------------|------------|
| B | 0.75 – 6kW | 233.0 | 176.5 | 181.0 |
| C | 7.5 – 15kW | 348.0 | 201.0 | 208.0 |
| D | 18.5 – 30kW | 453.0 | 252.0 | 245.0 |
| E | 30 – 45kW | 668.6 | 257.0 | 312.0 |
| F | 55 – 90kW | 720.0 | 257.0 | 355.0 |

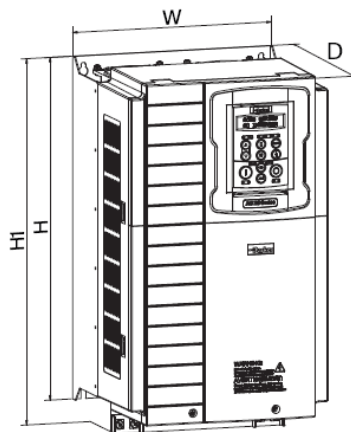

PARKER AC20 Frame Sizes

| Frame Size | kW Range | Height (mm) | Width (mm) | Depth (mm) |
|------------|-------------|-------------|------------|------------|
| 2 | 1.5 – 4kW | 180.0 | 108.4 | 185.0 |
| 3 | 5.5 – 7.5kW | 237.5 | 141.6 | 184.0 |
| 4 | 11 – 15kW | 265.0 | 161.0 | 196.0 |
| 5 | 18.5 – 30kW | 340.0 | 210.0 | 220.2 |
| 6 | 37 – 45kW | 435.0 | 262.0 | 240.5 |
| 7 | 55 – 75kW | 630.0 | 355.0 | 265.0 |
| 8 | 90 – 132kW | 765.0 | 406.0 | 300.0 |
| 9 | 160kW | 765.0 | 510.0 | 326.0 |
| 10 | 180kW | 910.0 | 550.0 | 341.5 |

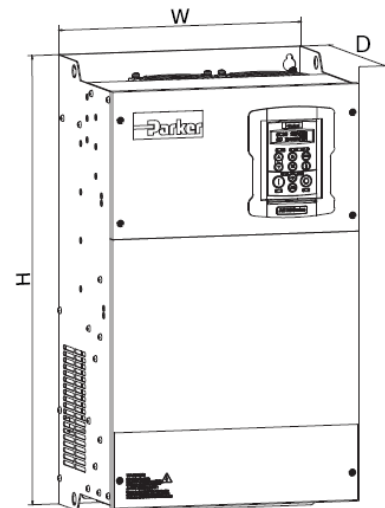
Frame 2-5



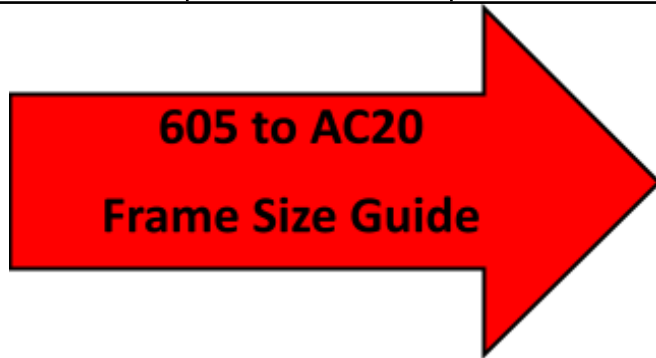
Frame 6



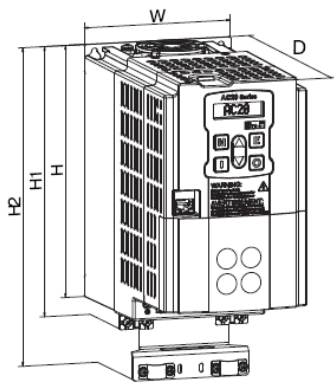
Frame 7-10



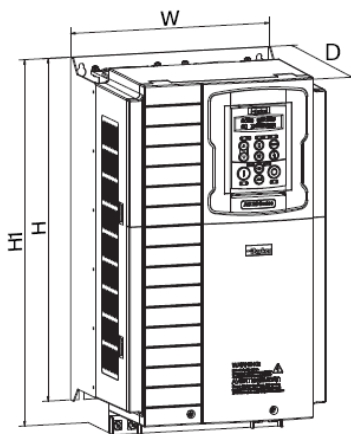
| EUROTHERM 605 Frame Sizes | | | | |
|---------------------------|--------------|------------|------------|------------|
| Frame Size | kW Range | Hight (mm) | Width (mm) | Depth (mm) |
| Type A | 0.75 – 1.5kW | 233.0 | 176.5 | 181.0 |
| Type B | 2.2 – 4kW | 348.0 | 201.0 | 208.0 |
| PARKER AC20 Frame Sizes | | | | |
| Frame Size | kW Range | Hight (mm) | Width (mm) | Depth (mm) |
| 2 | 1.5 – 4kW | 180.0 | 108.4 | 185.0 |
| 3 | 5.5 – 7.5kW | 237.5 | 141.6 | 184.0 |
| 4 | 11 – 15kW | 265.0 | 161.0 | 196.0 |
| 5 | 18.5 – 30kW | 340.0 | 210.0 | 220.2 |
| 6 | 37 – 45kW | 435.0 | 262.0 | 240.5 |
| 7 | 55 – 75kW | 630.0 | 355.0 | 265.0 |
| 8 | 90 – 132kW | 765.0 | 406.0 | 300.0 |
| 9 | 160kW | 765.0 | 510.0 | 326.0 |
| 10 | 180kW | 910.0 | 550.0 | 341.5 |



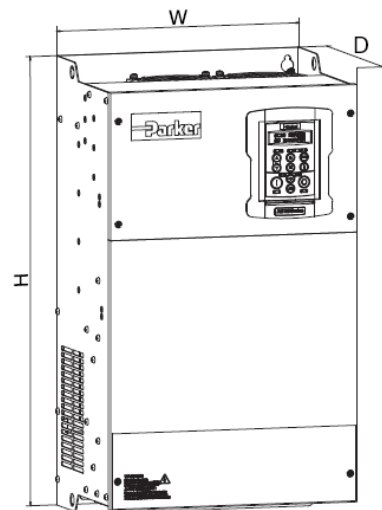
Frame 2-5



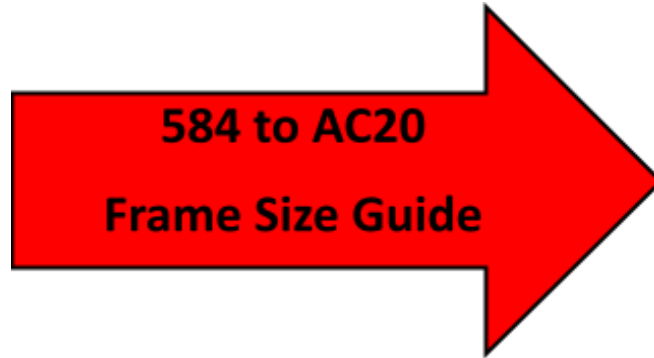
Frame 6



Frame 7-10

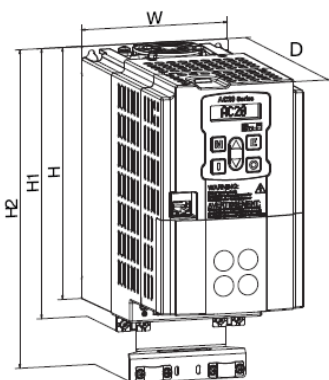


| EUROTHERM 584 Frame Sizes | | | | |
|---------------------------|--------------|-------------|------------|------------|
| Frame Size | kW Range | Height (mm) | Width (mm) | Depth (mm) |
| 584 | 0.75 – 7.5kW | 385.0 | 228.0 | 157.0 |
| 585 | 11 – 15kW | 535.0 | 228.0 | 157.0 |
| 586 | 18.5 – 37kW | 775.0 | 234.0 | 298.0 |
| 587 | 45 – 75kW | 1125.0 | 398.0 | 336.0 |

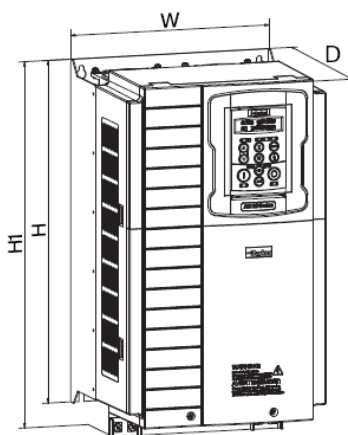


| PARKER AC20 Frame Sizes | | | | |
|-------------------------|-------------|-------------|------------|------------|
| Frame Size | kW Range | Height (mm) | Width (mm) | Depth (mm) |
| 2 | 1.5 – 4kW | 180.0 | 108.4 | 185.0 |
| 3 | 5.5 – 7.5kW | 237.5 | 141.6 | 184.0 |
| 4 | 11 – 15kW | 265.0 | 161.0 | 196.0 |
| 5 | 18.5 – 30kW | 340.0 | 210.0 | 220.2 |
| 6 | 37 – 45kW | 435.0 | 262.0 | 240.5 |
| 7 | 55 – 75kW | 630.0 | 355.0 | 265.0 |
| 8 | 90 – 132kW | 765.0 | 406.0 | 300.0 |
| 9 | 160kW | 765.0 | 510.0 | 326.0 |
| 10 | 180kW | 910.0 | 550.0 | 341.5 |

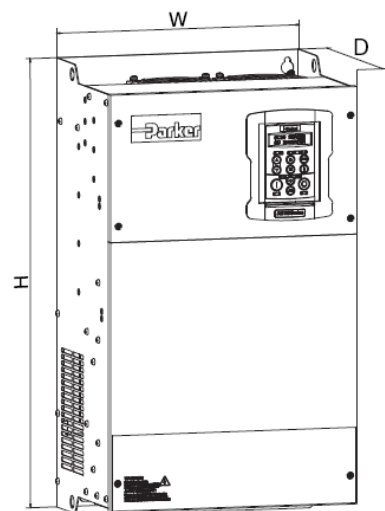
Frame 2-5



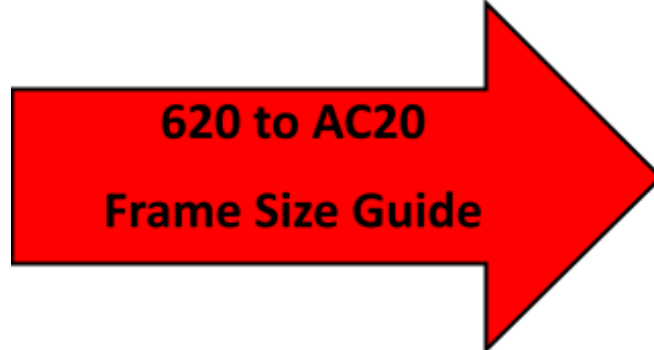
Frame 6



Frame 7-10

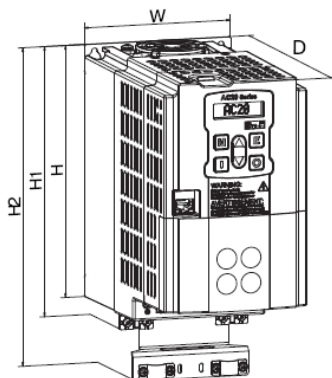


| EUROTHERM 620 Frame Sizes | | | | |
|---------------------------|--------------|-------------|------------|------------|
| Frame Size | kW Range | Height (mm) | Width (mm) | Depth (mm) |
| Type 4 | 0.75 – 7.5kW | 318.0 | 228.0 | 157.0 |
| Type 5 | 11 – 15kW | 468.0 | 228.0 | 157.0 |
| Type 6 | 18.5 – 37kW | 672.0 | 234.0 | 298.0 |
| Type 7 | 45 – 75kW | 838.0 | 398.0 | 398.0 |

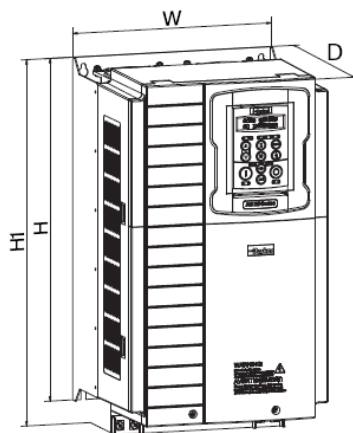


| PARKER AC20 Frame Sizes | | | | |
|-------------------------|-------------|-------------|------------|------------|
| Frame Size | kW Range | Height (mm) | Width (mm) | Depth (mm) |
| 2 | 1.5 – 4kW | 180.0 | 108.4 | 185.0 |
| 3 | 5.5 – 7.5kW | 237.5 | 141.6 | 184.0 |
| 4 | 11 – 15kW | 265.0 | 161.0 | 196.0 |
| 5 | 18.5 – 30kW | 340.0 | 210.0 | 220.2 |
| 6 | 37 – 45kW | 435.0 | 262.0 | 240.5 |
| 7 | 55 – 75kW | 630.0 | 355.0 | 265.0 |
| 8 | 90 – 132kW | 765.0 | 406.0 | 300.0 |
| 9 | 160kW | 765.0 | 510.0 | 326.0 |
| 10 | 180kW | 910.0 | 550.0 | 341.5 |

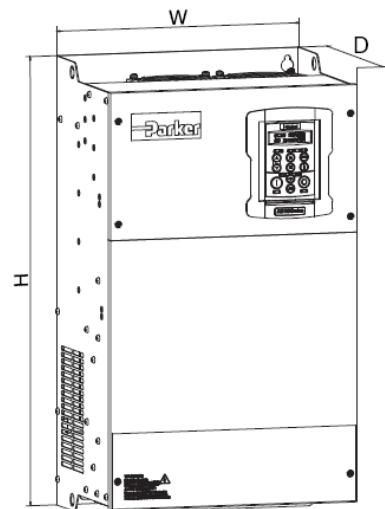
Frame 2-5



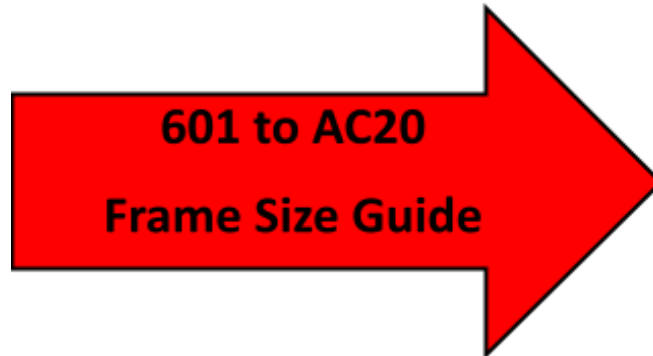
Frame 6



Frame 7-10

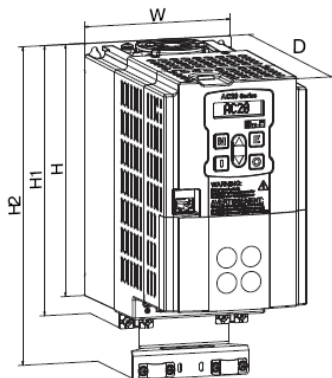


| EUROTHERM 620 Frame Sizes | | | | |
|---------------------------|--------------|-----------|------------|------------|
| Frame Size | kW Range | High (mm) | Width (mm) | Depth (mm) |
| Type 4 | 0.37 – 2.2kW | 183.0 | 72.0 | 175.0 |

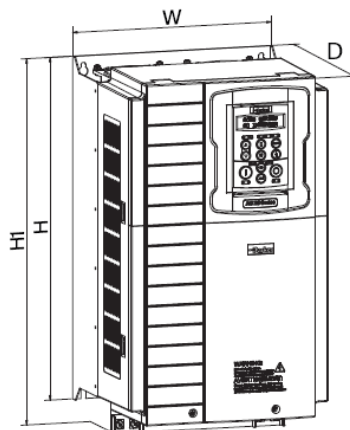


| PARKER AC20 Frame Sizes | | | | |
|-------------------------|-------------|-----------|------------|------------|
| Frame Size | kW Range | High (mm) | Width (mm) | Depth (mm) |
| 2 | 1.5 – 4kW | 180.0 | 108.4 | 185.0 |
| 3 | 5.5 – 7.5kW | 237.5 | 141.6 | 184.0 |
| 4 | 11 – 15kW | 265.0 | 161.0 | 196.0 |
| 5 | 18.5 – 30kW | 340.0 | 210.0 | 220.2 |
| 6 | 37 – 45kW | 435.0 | 262.0 | 240.5 |
| 7 | 55 – 75kW | 630.0 | 355.0 | 265.0 |
| 8 | 90 – 132kW | 765.0 | 406.0 | 300.0 |
| 9 | 160kW | 765.0 | 510.0 | 326.0 |
| 10 | 180kW | 910.0 | 550.0 | 341.5 |

Frame 2-5



Frame 6



Frame 7-10

